



**Coimisiún na Scrúduithe Stáit**  
*State Examinations Commission*

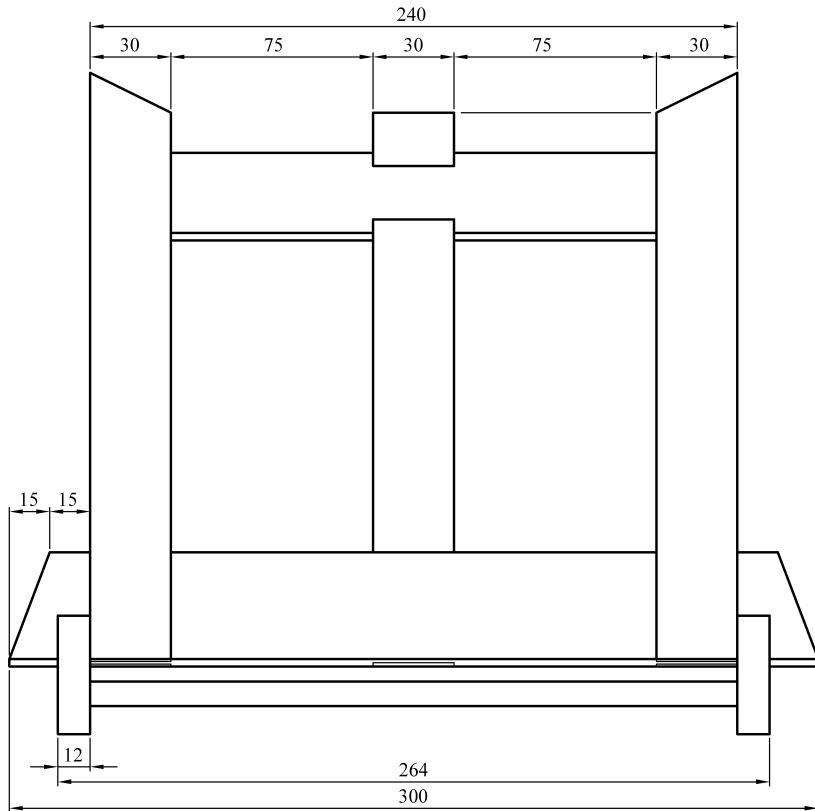
***Scrúdú Ardteistiméireachta 2008***  
***Leaving Certificate Examination 2008***

***Staidéar Foirgníochta***  
***Adhmadóireacht -Triail Phraiticiúil***

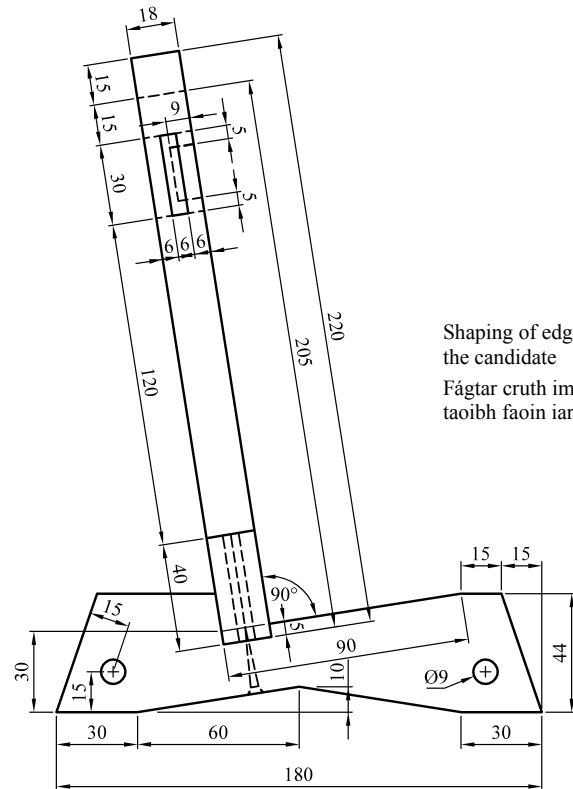
***Construction Studies***  
***Woodwork - Practical Test***

*(150 marc/marks)*

# Bookstand / Seastán Leabhar

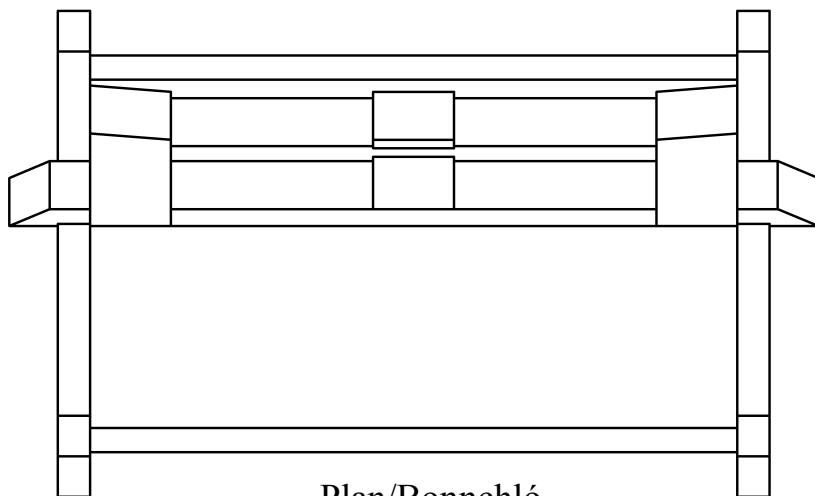
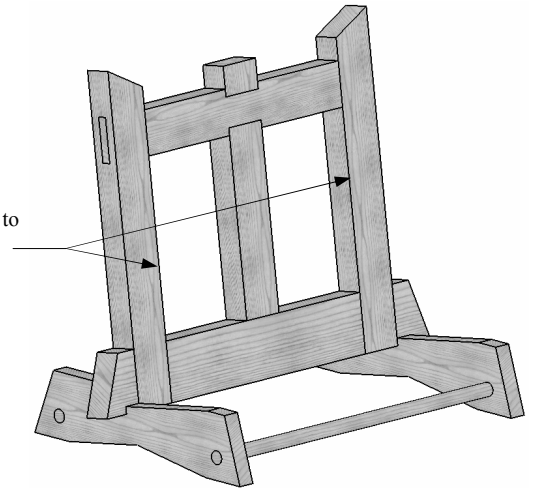


Elevation/Aghaidhchló



End View/Taobhchló

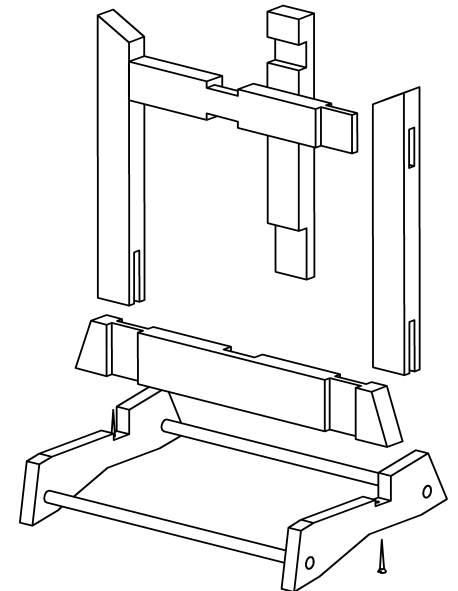
Shaping of edge is left to the candidate  
Fágfar cruth imeall an taobh faoin iarrthóir



Plan/Bonnchló

**Note:** Hand up this examination paper to the **Superintendent** at the end of examination.

**Nóta:** Tabhair ar ais an scrúdpháipéar seo don **Fheitheoir** ag deireadh an scrúdaithe.



Hand up this examination paper to the  
**Superintendent** at the end of the examination

Tabhair ar ais an scrúdpháipéar seo don  
**Fheitheoir** ag deireadh an scrúdaithe