

AN ROINN OIDEACHAIS AGUS EOLAÍOCHTA

LEAVING CERTIFICATE EXAMINATION 2000

## CONSTRUCTION STUDIES - PART I (THEORY)

ORDINARY LEVEL

WEDNESDAY, 21 JUNE - 2.00 - 4.30

(200 marks are allotted to this paper)

- (a) Answer Question 1 and three other questions.
- (b) Answers must be written in ink; drawings and sketches to be made in pencil.
- (c) Write the number of the questions distinctly in the margin of the paper before each answer.
- (d) Freehand sketches or diagrams to illustrate written descriptions should be made.
- (e) The name, sizes, dimensions and other necessary particulars of each material indicated must be noted on the drawing.
- (f) *All questions carry equal marks.*

1. To a scale of 1:5, draw a vertical section through an insulated solid concrete ground floor and a 300mm insulated external cavity wall of a house. Show constructional details from the bottom of the foundation to 300mm above floor level.
2. Explain any **five** of the following terms associated with building:
  - (i) Location map;
  - (ii) Site plan;
  - (iii) Planning permission;
  - (iv) Profiles;
  - (v) Excavation;
  - (vi) Levels.
3. To a scale of 1:5, draw a vertical section through a timber flat roof of a garage showing its junction with a 300mm insulated external cavity wall of a house. The garage roof is to be finished with asphalt.
4. Explain in detail the sequence of operations required when preparing and painting the following surfaces; assume that the surfaces have not been previously painted.
  - (i) external wrought iron gate;
  - (ii) external smooth plastered wall.
5.
  - (a) Sketch an indirect hot water system suitable for a domestic dwelling.
  - (b) Include in the sketch two radiators and show the pipework necessary to install the radiators in this system.
6.
  - (a) With the aid of notes and sketches show the main constructional details of:
    - (i) an internal flush door;
    - (ii) an external wooden door.
  - (b) Sketch a joint suitable for jointing the top rail to the stile of an external wooden door.
7.
  - (a) List and explain **four** precautions that should be taken to ensure that a building site is safe for workers and visitors.
  - (b) List **three** safety precautions that should be observed when using an electric drill out-of-doors.
8.
  - (a) Sketch a single stack system of waste disposal for a two storey dwelling house and show the pipework necessary for the removal of waste from a toilet, bath and wash-hand basin of an upstairs bathroom.
  - (b) Using notes and sketches, explain any **two** of the following as they refer to above ground drainage: (i) self-siphonage ; (ii) induced siphonage; (iii) back pressure.
9. Explain, with the aid of notes and sketches, any **five** of the following:
  - (i) fascia;
  - (ii) purlin;
  - (iii) ridge;
  - (iv) angle bead;
  - (v) scrim;
  - (vi) expanded metal.

AN ROINN OIDEACHAIS AGUS EOLAÍOCHTA  
SCRÚDÚ ARDTEISTIMÉIREACHTA, 2000

STAIÉAR FOIRGNÍOCHTA  
ADHMADÓIREACHT TRIAIL PHRAITICIÚIL

DÉ LUAIN, 15 BEALTAINE - 9.30 go dtí 1.30

1. Leag amach an píosa oibre a thaispeántar ar an líniócht a sholáthraítear agus marcáil amach, próiseáil agus cóimeáil na píosaí.
2. Ní ceadmhach gliú a úsáid.
3. Ní ceadmhach úsáid a bhaint as innealra.
4. Má loiteann tú píosa adhmaid, ní ceadmhach duit ceann nua a fháil ina áit.
5. Scríobh do Scrúduimhir ar gach píosa den ábhar.

AN ROINN OIDEACHAIS AGUS EOLAÍOCHTA  
LEAVING CERTIFICATE EXAMINATION, 2000

CONSTRUCTION STUDIES  
WOODWORK - PRACTICAL TEST

MONDAY, 15 MAY - 9.30 to 1.30

1. Set out the work shown on the drawing supplied, and mark out, process and assemble the pieces.
2. Glue must not be used.
3. Use of machinery is not allowed.
4. If you spoil a piece of timber, you may not have it replaced.
5. Write your Examination Number on each piece of material.

---

**AN ROINN OIDEACHAIS AGUS EOLAÍOCHTA**

**M.77L**

**9700**

**SCRÚDÚ ARDTEISTIMÉIREACHTA, 2000**

**LEAVING CERTIFICATE EXAMINATION, 2000**

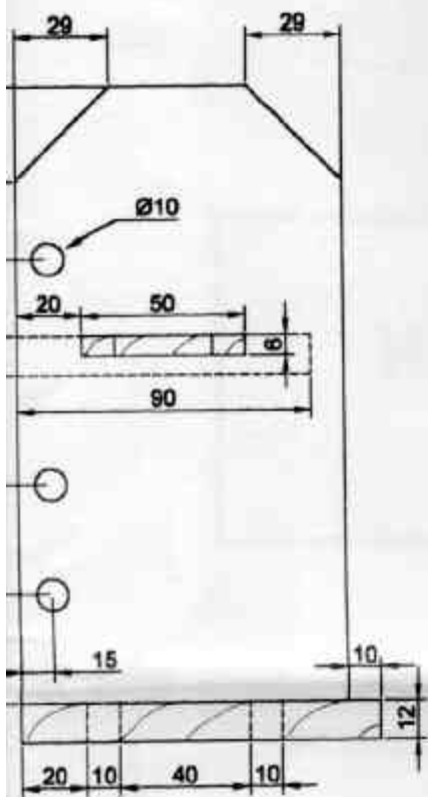
**STAIDÉAR FOIRGNÍOCHT**

**CONSTRUCTION STUDIES**

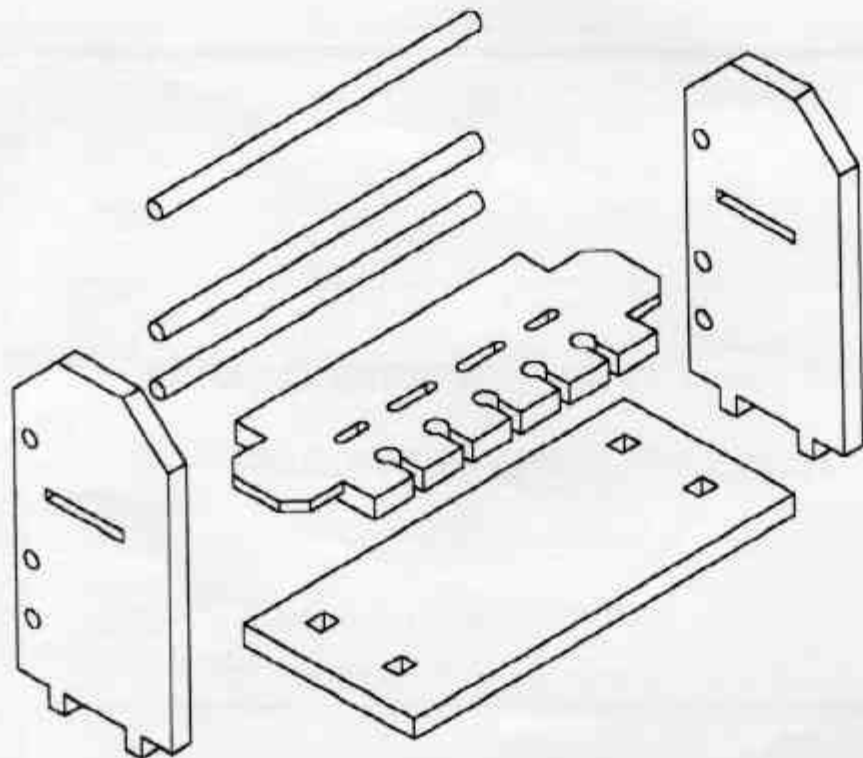
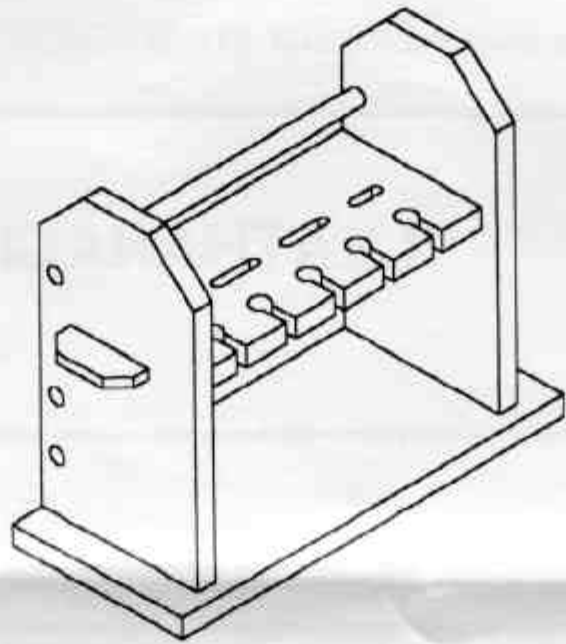
**ADHMADÓIREACTH - TRIAIL PHRAITICIÚIL**

**WOODWORK - PRACTICAL TEST**

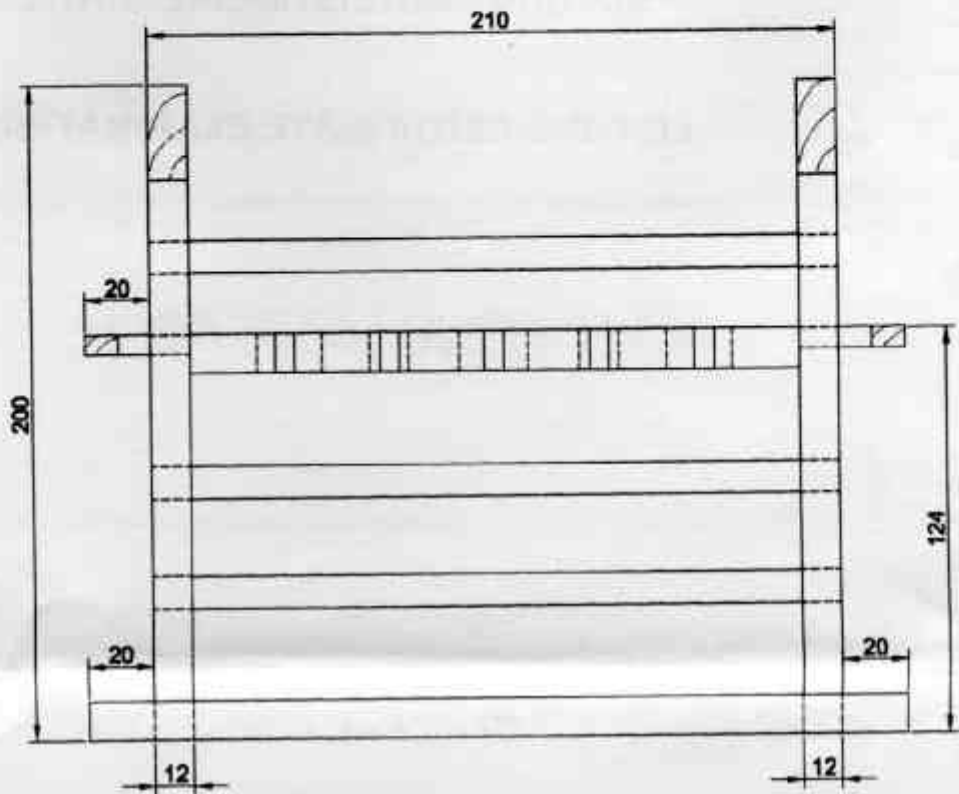
---



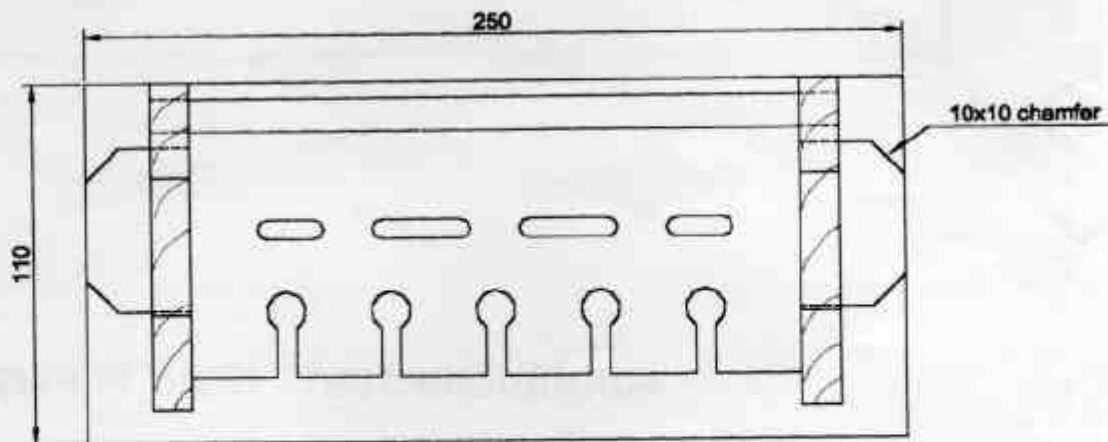
End Elevation/Taobhchli6



# Sealbhóir do Sceanra/Cutlery Holder



Elevation/Aghaidhchló



Plan/Bunchló

Shaping to edge of base is left to student  
Fághtar cruth imeall an bhoinn faoinn dalta.